



### PW SERIES

General Purpose Magnetic-Drive Pumps

- Construction Material: PPG
- Bearing Material: Carbon, Rulon or Ceramic
- Spindle Material: Ceramic
- Thrust Pad Material: Ceramic
- O-Ring Material: FKM or EPDM
- Impeller Type: Close
- Connections: Flange



### PW-F SERIES

Magnetic-Drive Pumps For Hazardous Chemicals

- Construction Material: ETFE
- Bearing Material: HD Carbon, Rulon or Ceramic or Silicone Carbide
- Spindle Material: Ceramic or Silicone Carbide
- Thrust Pad Material: Ceramic or Silicone Carbide
- O-Ring Material: FKM or EPDM
- Impeller Type: Close
- Connections: Flange

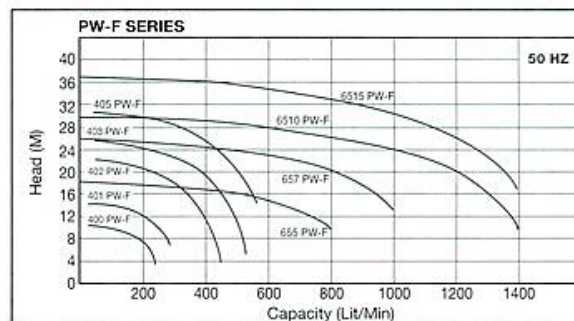
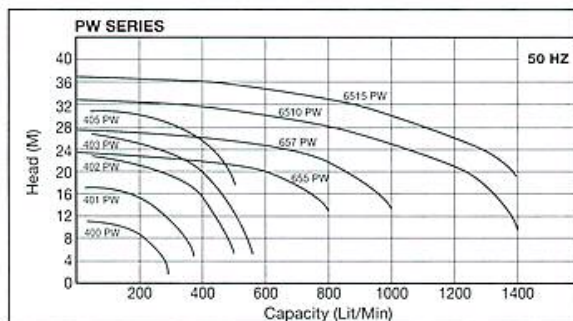
### Specifications

Pump Model	Connection Inlet x Outlet (mm)	Specific Point Lit/Min - M	Motor Output (kw)	Approx. Weight (kg)
400PW	40A X 40A	165 - 8.3	0.37	16
401PW	40A X 40A	240 - 12.0	0.75	23
402PW	50A X 40A	320 - 14.0	1.5	33
403PW	50A X 40A	310 - 20.0	2.2	37
405PW	50A X 40A	390 - 23.0	3.7	52
655PW	80A X 65A	700 - 15.0	3.7	110
657PW	80A X 65A	800 - 17.5	5.5	120
6510PW	80A X 65A	780 - 23.4	7.5	130
6515PW	80A X 65A	1040 - 25.5	11	140

Pump Model	Connection Inlet x Outlet (mm)	Specific Point Lit/Min - M	Motor Output (kw)	Approx. Weight (kg)
400PW-F	40A X 40A	135 - 7.4	0.37	16
401PW-F	40A X 40A	180 - 10.0	0.75	23
402PW-F	50A X 40A	260 - 16.0	1.5	33
403PW-F	50A X 40A	330 - 17.0	2.2	37
405PW-F	50A X 40A	390 - 24.5	3.7	52
655PW-F	80A X 65A	600 - 12.2	3.7	110
657PW-F	80A X 65A	700 - 17.0	5.5	120
6510PW-F	80A X 65A	760 - 24.1	7.5	130
6515PW-F	80A X 65A	1080 - 26.8	11	140

NOTE: 1. Performance results for PW Series is based on SG 1.1 and for PW-F Series is based on SG 1.2. All on 50Hz operation.  
 2. Weight varies with brands and types of electric motors to be fitted.

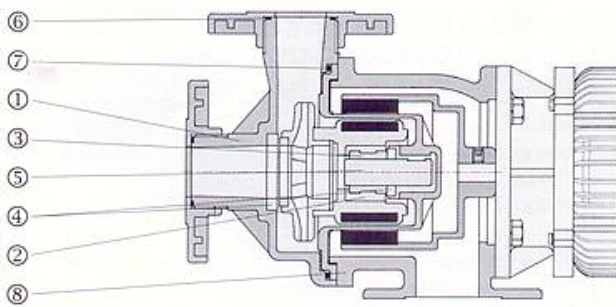
### Performance Curve



NOTE: 1. Performance for all the models on PW Series are based on SG 1.1, except the models with (S) which are based on SG 1.0  
 2. Performance for all the models on PW-F Series are based on SG 1.2, except the models with (S) which are based on SG 1.0

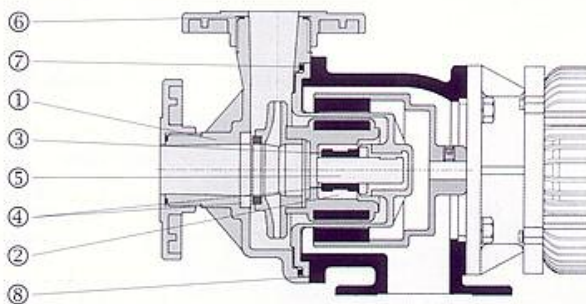
For more information, please email sales@panworld.com.sg

**PW Series - Part List**



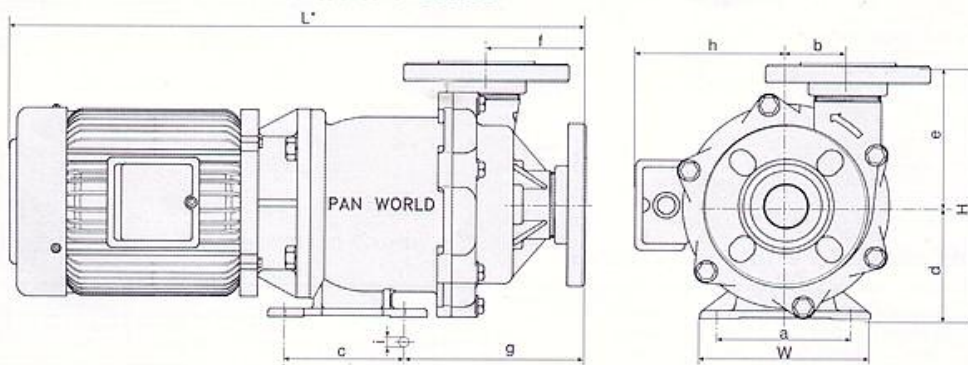
Part Name	PW SERIES		
	CV	RV	AV
1. Casing	PPG		
2. Holder	PPG		
3. Bearing	Carbon	Rulon	Ceramic
4. Thrust Pad	Ceramic		
5. Spindle			
6. O-Ring	FKM or EPDM		
7. O-Ring			
8. Bracket	Grey Cast Iron		

**PW-F Series - Part List**



Part Name	PW-F SERIES			
	FV	RV	AV	SI
1. Casing	(ETFE)			
2. Holder				
3. Bearing	HD Carbon	Rulon	Ceramic	SiC
4. Thrust Pad	Ceramic			
5. Spindle				
6. O-Ring	FKM or EPDM			
7. O-Ring				
8. Bracket	Grey Cast Iron			

**Installation Dimension: PW & PW-F Series**



Pump Model	W	H	L'	a	b	c	d	e	f	g	h	i
NH-400PW	143	216	394	110	51	98	95	121	87	150	125	12
NH-401PW	160	254	488	130	57.5	130	115	139	102.5	184	148	12
NH-402PW	260	255	551	208	65	200	115	140	89	158	158	14
NH-403PW	260	255	591	208	65	200	115	140	89	158	158	14
NH-405PW	260	270	617	208	65	200	130	140	89	158	158	14
NH-655PW	260	360	715	210	85	270	175	185	118	215	226	14
NH-657PW	260	360	746	210	85	270	175	185	118	215	249	14
NH-6510PW	260	360	746	210	85	270	175	185	118	215	249	14
NH-6515PW	260	360	904	210	85	270	175	185	118	240	287	14

NOTE: 1. \*Depending on types and makes of electric motor to be fitted.  
 2. Similar dimensions for both PW & PW-F Series.

For more information, please email sales@panworld.com.sg