

VERDERFLEX®

## VERDERFLEX PERISTALTIC PUMPS

Smart - S10

**Any questions?** You may still have questions and/or comments after reading this brochure. Please feel free to contact us on +44 (0)1924 221 020. You can also respond via email to [info@verderflex.com](mailto:info@verderflex.com). For more information about Verderflex please visit our website [www.verderflex.com](http://www.verderflex.com)



### VERDERFLEX

Unit 3, California Drive, TEL +44 (0)1924 221 020  
Castleford WF10 5QH FAX +44 (0)113 222 0291  
United Kingdom MAIL [info@verderflex.com](mailto:info@verderflex.com)  
WEB [www.verderflex.com](http://www.verderflex.com)

AT Wien BE Aartselaar BG Sofia CH Basel CN Shanghai CZ Praha DE  
Haan FR Eragny s/Oise GB Castleford HU Budapest IT Torre Boldone  
JP Tokyo NL Groningen/Vleuten PL Katowice RO Bucuresti/Sibiu  
RU St Petersburg SK Bratislava US Newtown/Macon ZA Northriding

SMT10.EN.0411

**VERDER**  
passion for pumps

# Smart 10 – 3 roller

## Physical Properties

Weight	12.3 kg (27.1lb)
Voltage	115V/230V
Frequency	50/60Hz
Power Consumption	250W

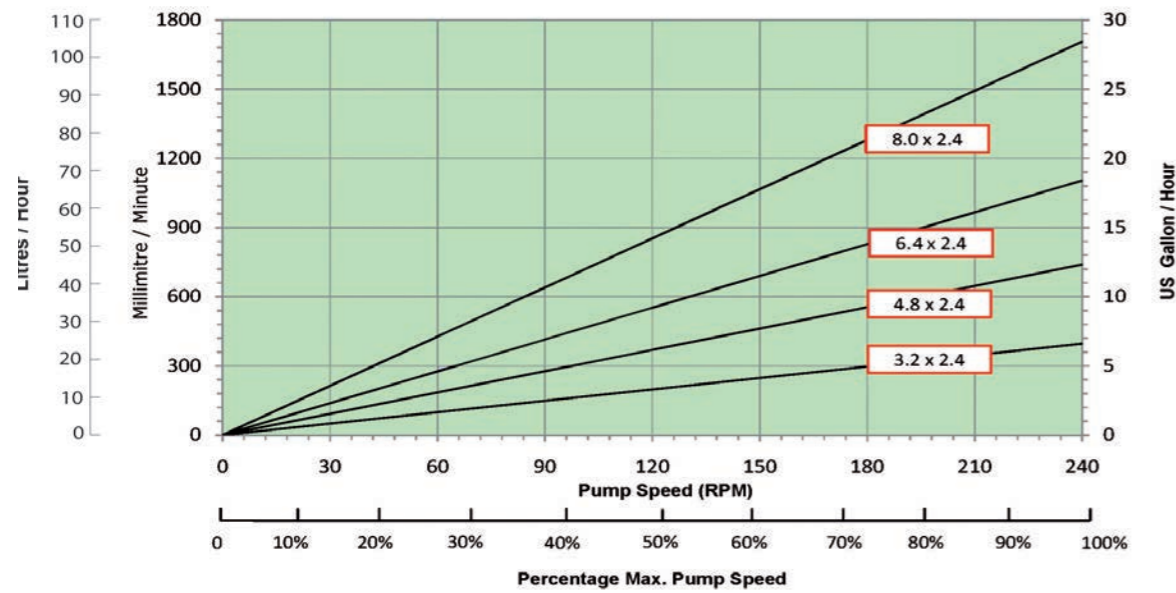
## Capacity

Tube ID x Wall (mm)	Min ml/min	US GPH	Max ml/min	US GPH
3.2 x 2.4	32	0.5	450	7.1
4.8 x 2.4	45	0.7	770	12.2
6.4 x 2.4	70	1.1	1,167	18.5
8.0 x 2.4	105	1.6	1,725	28.4



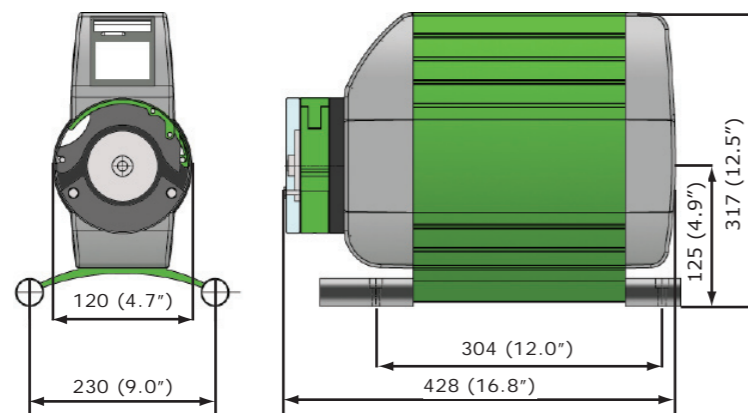
## Free Flow Curve

Flow rates with water at 20°C (68°F)



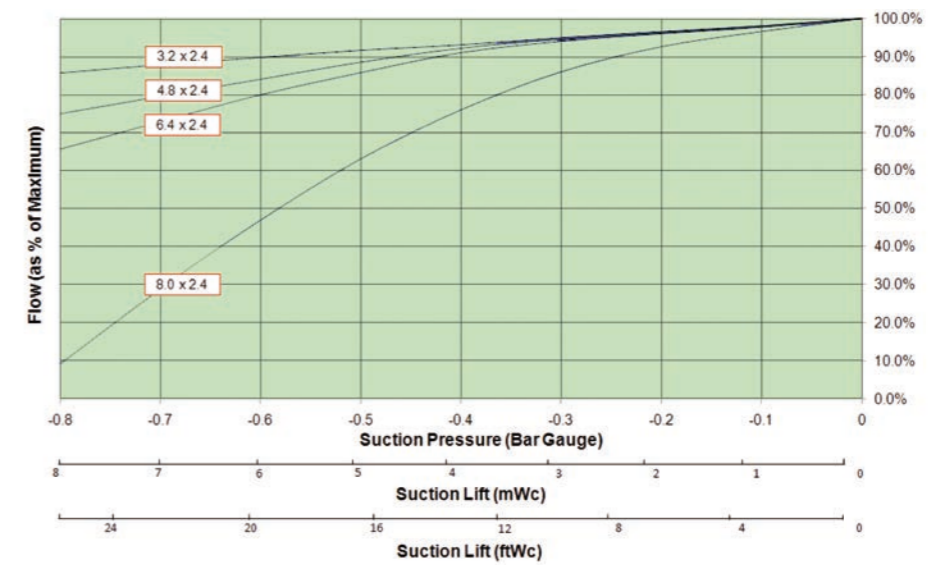
The S10 Pump Head is designed to use a 2.4 mm ( $\frac{3}{32}$ " ) wall thickness tube

## General Arrangement Layout

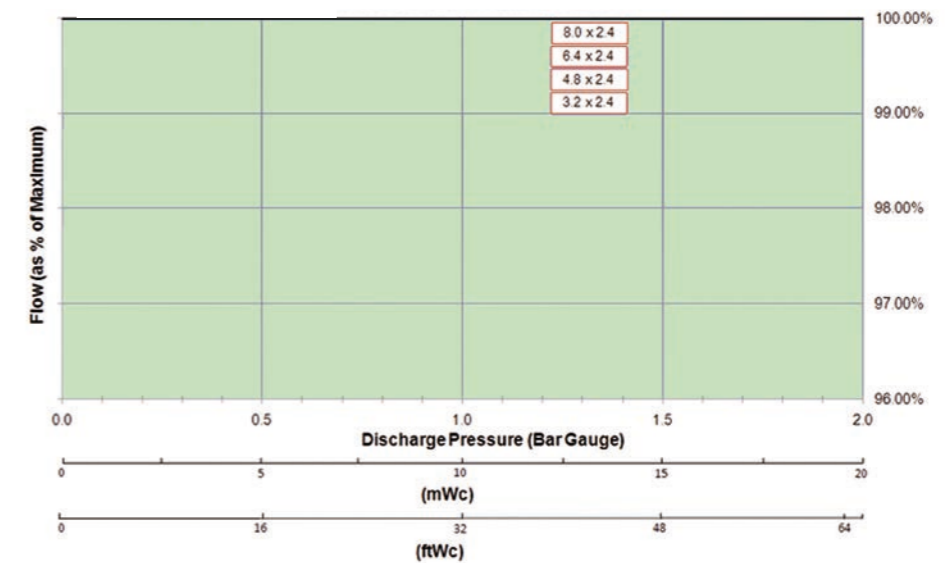


The drawings are for guidance only - all dimensions in millimetres and inches

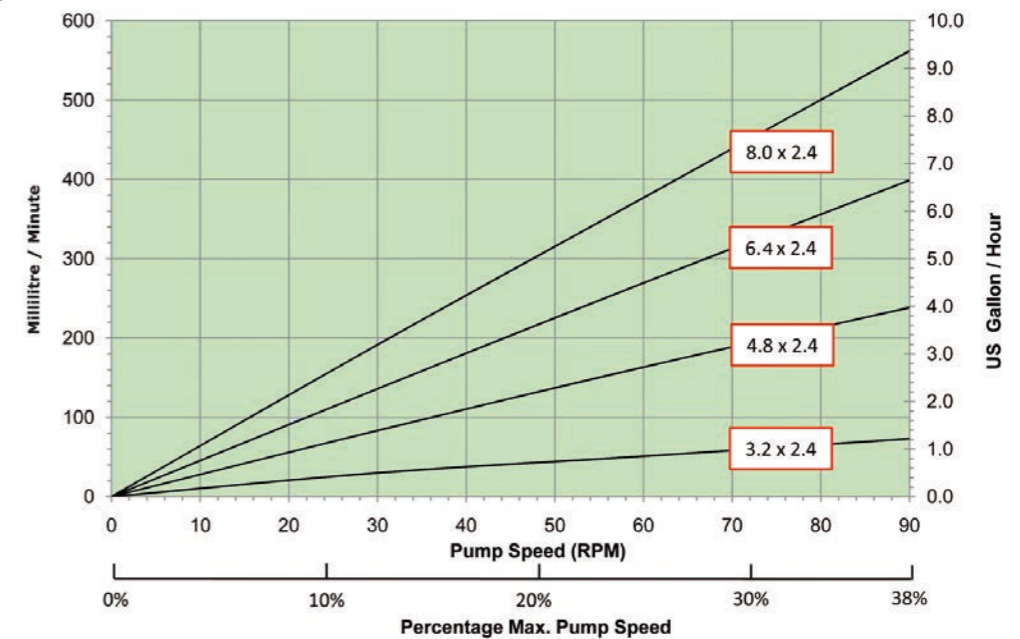
## Suction Loss



## Discharge



## Viscosity



Viscous liquid 350 cps at 22°C